

**Kit Includes:** One (1) or Two (2) LED Pods, Deutsch-style wire pigtail, mounting bracket, and hardware



### Features

- Compact single-LED form factor
- High intensity LED chip
- Backlighting available in white, amber, red, and blue\*
- Durable powdercoated aluminum construction
- Integrated Deutsch-style connector

\*The yellow lens option is only available with an amber backlight

### Specifications

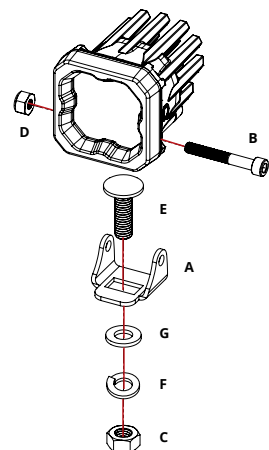
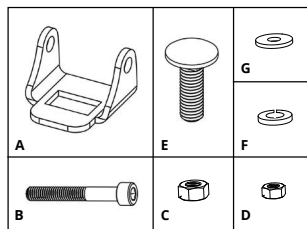
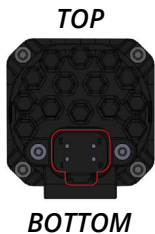
- Input Voltage: 9-16V
- Input Power: 12.8 watts (SSC1 Sport)  
19.0 watts (SSC1 Pro)
- Current Draw: 1.0 amps @ 12.8V (SSC1 Sport)  
1.5 amps @ 12.8V (SSC1 Pro)
- Operating Temperature: -40° to 185°F
- Weight: 0.7 lbs (single), 1.2 lbs (pair)

### Wiring

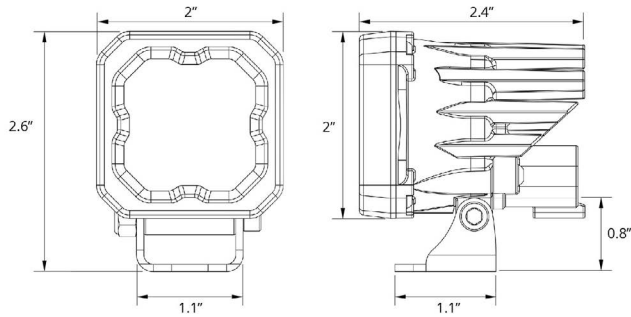
Connect the red wire to positive supply, and black wire to negative or common ground. Tap the blue wire for the backlight to your desired vehicle function. If you are using the pigtail, the yellow wire won't be used. **Please note:** This auxiliary lamp draws high current, and requires adequately-sized wiring for safe operation. If you are not using a Diode Dynamics wire harness, use wire sized 18 AWG or larger. Please be mindful of current ratings and wire size, especially if splitting power signals to multiple pods, or using switches. Always use a fuse. If you have any questions, please feel free to contact us for assistance.

### Mounting

If you wish, you may use the included hardware to mount your pod. Fasteners are included. The most common mounting style is shown below. Stage Series Pods are also compatible with most standard mounting brackets on the market.

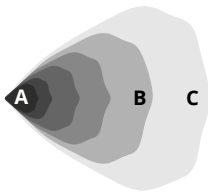


## Dimensions



## Output

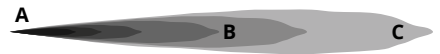
### Wide



### Flood



### Spot



A - lux at 10 meters  
 B - Distance (m) with 1 lux  
 C - Distance (m) with .25 lux

SS CI SPORT					SS CI PRO					
Lens Color/Optics	cd*	A	B	C	SKU	cd*	A	B	C	SKU
		Illuminance (lx)	Distance (m)	Illuminance (lx)			Distance (m)			
White Wide	2,500	25	50	100	DD6439	5,400	54	73	150	DD6454
White Flood	400	4	20	40	DD6444	925	9	30	60	DD6459
White Spot	50,000	500	224	450	DD6449	23,000	230	152	300	DD6464
Yellow Wide	2,400	24	49	100	DD6443	4,600	46	68	140	DD6458
Yellow Flood	380	4	19	40	DD6448	780	8	28	60	DD6463
Yellow Spot	43,200	432	208	420	DD6453	18,000	180	134	270	DD6468
* PEAK BEAM INTENSITY Measured Output      Output Color White 1,030 lumens      White 6000K White Yellow 1,000 lumens      Yellow 3000K Selective Yellow					* PEAK BEAM INTENSITY Measured Output      Output Color White 2,600 lumens      White 6000K White Yellow 2,600 lumens      Yellow 3000K Selective Yellow					